

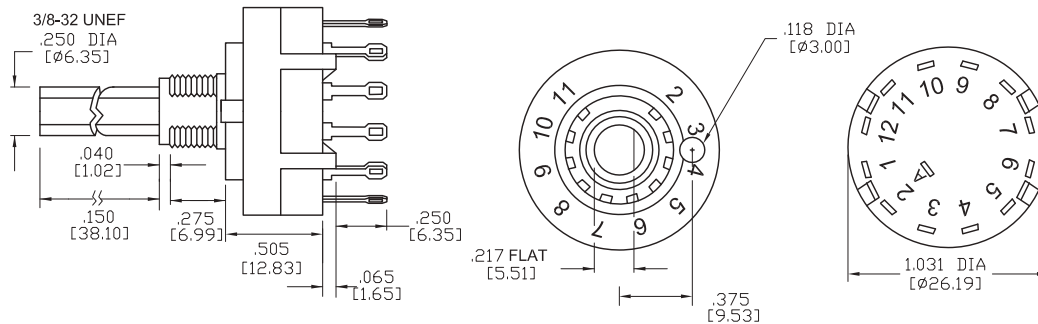
## SPECIFICATIONS:

CONTACT RATING: 300 mA @ 125 VAC.  
 CURRENT CARRYING CAPACITY: 5 A continuous. (Non-switching)  
 ELECTRICAL LIFE: 15000 cycles at full load up to 30,000 detent operations.  
 CONTACT RESISTANCE: 20 mΩ max. initial.  
 DIELECTRIC STRENGTH: 500 V RMS @ sea level.  
 OPERATING TEMPERATURE: -20°C to + 85°C.  
 STOPS: 2P-6Pos  
 ROTATION TORQUE: 0.5 ± 0.2 kg/cm.

## MATERIALS:

SHAFT: Glass filled nylon, colour-grey.  
 COVER: Glass filled nylon, colour-grey.  
 BASE: Glass filled nylon, colour-grey.  
 CONTACTS: Brass, silver-plated.  
 TERMINALS: Brass, silver-plated.  
 HARDWARE: Nut-zinc, nickel-plated.  
 LOCKWASHER: Steel, bright zinc-plated.  
 STOP RING: Brass, nickel-plated.

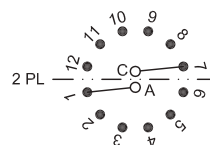
Art. Nr.  
**RND 210-00069**



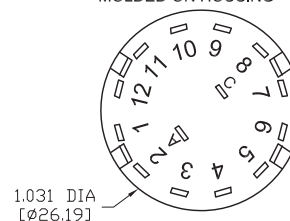
## SWITCHING POSITION

Model No.	Switching Position
RND 210-00069	2P-6Pos

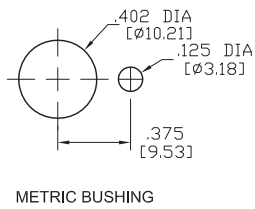
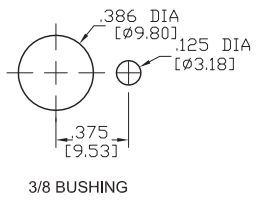
Schematic



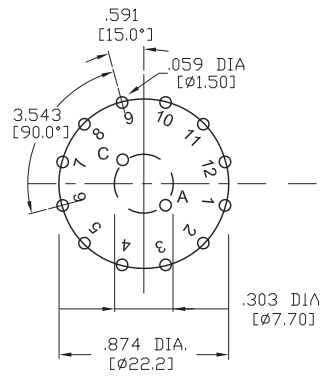
TERM. NOS.  
 MOLDED ON HOUSING



## PANEL MOUNTING

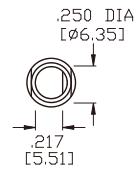
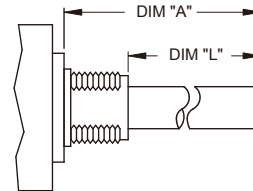


## P.C. MOUNTING



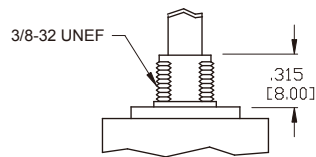
## ACTUATOR OPTIONS

DIM"A"	DIM"L"
.827 [21.00]	.512 [13.00]



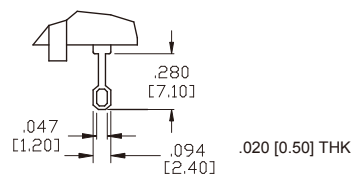
## BUSHING OPTIONS

STD.



## TERMINATION OPTIONS

STD.



NUT	Q #M# ° o=-k	au\h'k@/8
<p>3/8-32 UNEF-28</p> <p>.500 [12.70]</p> <p>.060 [1.57]</p>	<p>.600 DIA [Ø15.24]</p> <p>.046 [1.17] THK</p>	<p>.540 DIA [Ø13.72]</p> <p>.092 [2.34]</p>

CONTACT OPTIONS

Non-Shorting Contacts: Break before make